

NOTES:

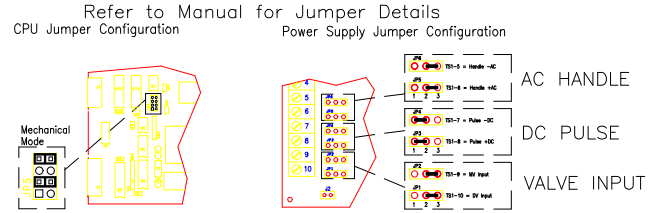
- All wiring must be installed in accordance with National Electrical Code (NFPA # 70), automotive and marine service station code (NFPA # 30A), and all state and local codes.
- Pull a green 12 AWG or larger ground wire and secure to the ground screw on the power supply deck. Do not rely on the metal conduit as ground. Each dispenser chassis must be within 1 ohm of earth ground.
- All specified wiring gauge is minimum. Use only stranded wire with THHN insulation. Do not reuse old wire.
- Do not use PVC conduit. Use only rigid metal conduit.
- Dispenser power (CB-1) must be a dedicated circuit. A maximum of two (2) dispensers may be placed on one (1) dispenser power circuit breaker.
- If more than one (1) dispenser power circuit breaker is used, all dispenser power circuit breakers must be placed on the same AC line phase.
- Circuit breakers are supplied by the customer.
 - Circuit breakers identification
 - CB-1 Dispenser Power*
 - CB-2 Motor Power**

* No more than two (2) dispensers per circuit breaker.
 ** No more than one (1) motor per circuit breaker.
 All circuit breakers shown are neutral breaking type.
- Dispenser is factory wired for 115 Vac or 230 Vac operation. This may not be changed in the field.
- N/A
- One (1) circuit breaker (CB-2) per pump motor.
- If 115 Vac pump motors are used, install 115 Vac motor circuit breakers (CB-2) on the AC line phase opposite the dispenser power circuit breaker (CB-1).
- Connect ground strap from TB1 on each power supply to center ground nut on power supply deck.
- N/A
- Valves are optional on some models.
- N/A
- Green ground wire on 230 Vac valves only.
- N/A
- N/A
- If an intercom system is used, DO NOT run the intercom and pump wires in the same conduit. Otherwise, electrical interference may occur with the intercom system or pump data communications.
- N/A
- Install RC/MOV filters across coils and contacts of all submerged pump motor control contactors. Available from Bennett Pump Co. - Order part number 104187 for a kit of three RC/MOV filters and/or part number A444101 for an individual RC/MOV filter.
- N/A
- Set control unit jumpers to mechanical mode when using Go Pump/99D electronics to simulate a mechanical pump.
- N/A

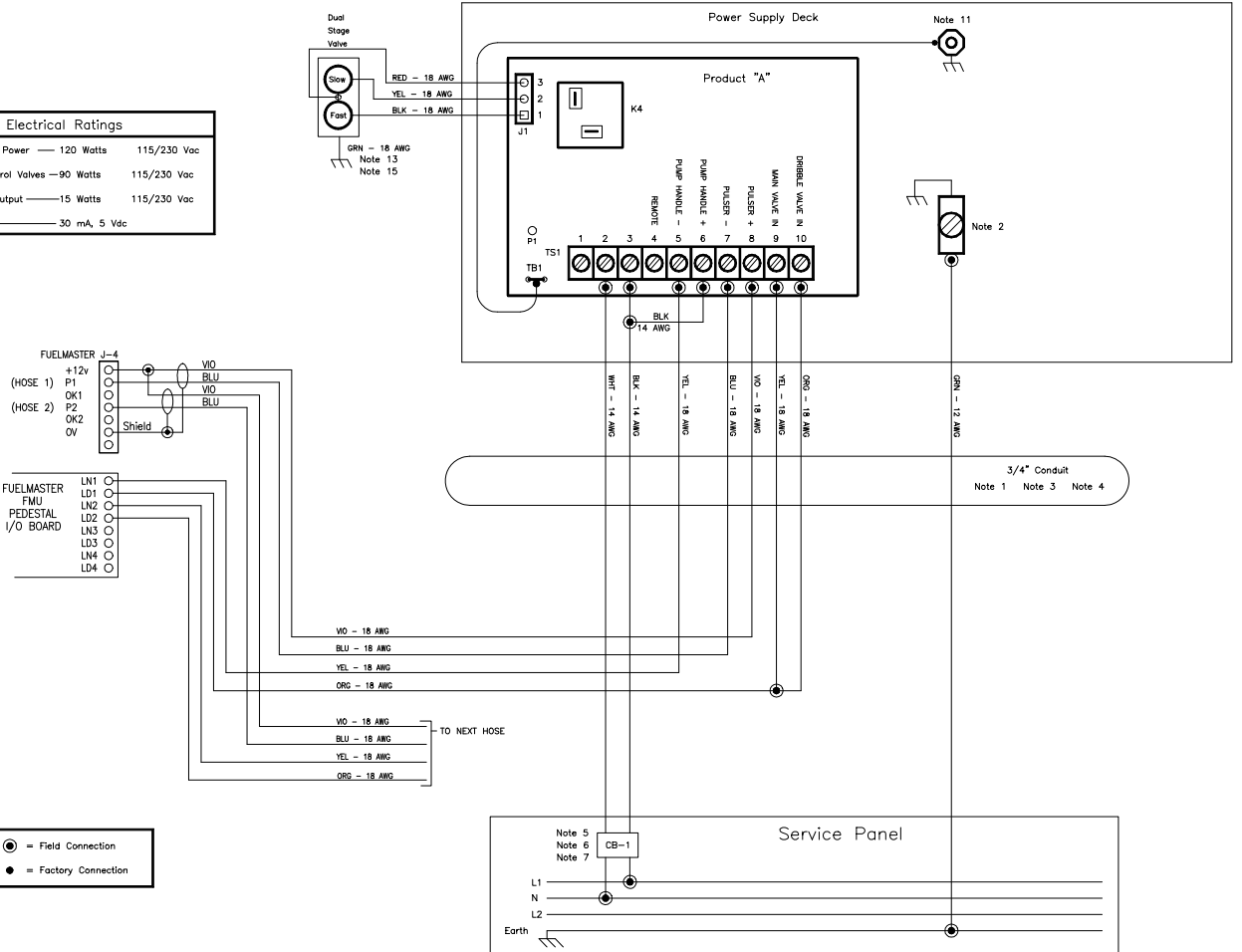
WARNING: When connecting to a mechanical pump console or fleet system as shown in this diagram, jumpers MUST re-positioned on the dispenser's PS/I/O board BEFORE AC power is applied. Failure to move jumpers will cause damage to the dispenser's electronics. Please see installation manual for jumper information.

INSTALLATION WIRING FOR GO PUMPS AND 2200 W/ 99D ELECTRONICS
Typical Wiring for Syn-Tech Systems Fuelmaster

NOTE: This drawing provides typical wiring installation for a single hose. Duplicate wiring for multi-hose installations. For standard dispenser wiring refer to **Factory and Installation Diagram** for the specific Model being installed. Refer to Owners Manual for Optional Interface Methods



Electrical Ratings	
Dispenser Power	— 120 Watts 115/230 Vac
Main Control Valves	— 90 Watts 115/230 Vac
Remote Output	— 15 Watts 115/230 Vac
Encoder	— 30 mA, 5 Vdc



● = Field Connection
 ● = Factory Connection

FOR GO PUMP INSTALLATION REFER TO MANUAL 103848
 FOR 2200 99D INSTALLATION REFER TO MANUAL 104613