

WIRING - FACTORY and INSTALLATION

Models R12X, R22X, & R24X Retail Series
 Models C12X, C22X, & C24X Commercial Series
 Single and One or Two Product Twin Remote Dispenser
 with Tuthill Corp. Phoenix 8000, FL6 System and AFC System Interfaces
 Refer to Owners Manual for Optional Interface Methods

WARNING: When connecting to a mechanical pump console or fleet system as shown in this diagram, jumpers MUST re-positioned on the dispenser's PS/IO board BEFORE AC power is applied. Failure to move jumpers will cause damage to the dispenser's electronics. Please see installation manual for jumper information.

NOTES:

* = Trade name of Tuthill corp.

- All wiring must be installed in accordance with National Electrical Code (NFPA #70), automotive and marine service station code (NFPA #30A), and all state and local codes.
- Pull a green 12 AWG or larger ground wire and secure to the ground screw in the dispenser junction box. Do not rely on metal conduit as ground. Each dispenser junction box and interconnection box chassis must be within 1 ohm of earth ground.
- All specified wiring gauge is minimum. Use only stranded wire with THHN insulation. Do not reuse old wire.
- Do not use PVC conduit. Use only rigid metal conduit.
- Dispenser power (CB-1) must be a dedicated circuit. A maximum of two (2) dispensers may be placed on one (1) dispenser power circuit breaker. If more than one (1) dispenser power circuit breaker is used, all dispenser power circuit breakers must be installed on the same AC line phase.
- Circuit breakers are supplied by the customer.

Circuit Breaker Identification

- CB-1 Dispenser Power *
 - CB-2 Lamp Power **
 - CB-3 Motor Power ***
 - CB-4 Motor Power ***
 - CB-5 Phoenix Power *
- * No more than two (2) dispensers per circuit breaker.
 ** No more than five (5) dispensers per circuit breaker.
 *** No more than one (1) pump motor per circuit breaker.

All circuit breakers shown are neutral breaking type.

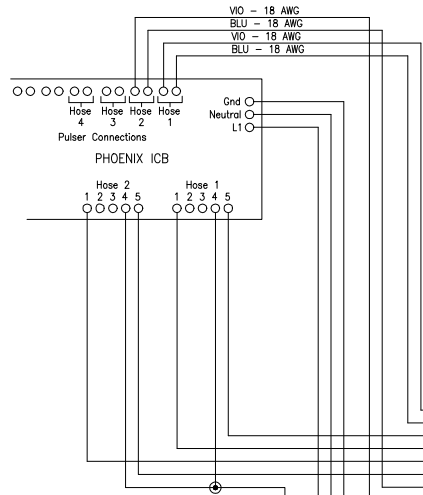
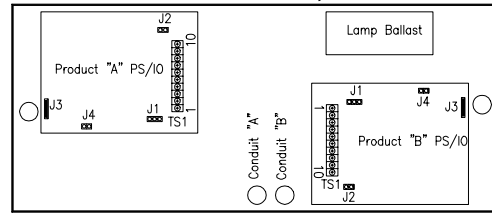
- Dispenser is factory wired for 115 Vac or 230 Vac operation. This may not be changed in the field.
- N/A
- One (1) motor circuit breaker (CB-3, CB-4, etc.) per pump motor.
- If 115 Vac pump motors are used, install 115 Vac motor circuit breakers (CB-3 & 4), on the AC line phase opposite the AC line phase where the dispenser power circuit breakers (CB-1) are installed.
- Two (2) Green (GRN) pigtail ground wires on each Power supply / IO circuit board must be bonded to the ballast box chassis ground via the studs provided.
- N/A
- When "LOW" flow valves are NOT present, connect the Blu (Yel) "HIGH" flow valve wire to the Low flow valve Terminal 3 or 20.
 Low flow valves are not present on models

R12X-XXXXXX-
 R22X-XXXXXX-
 R24X-XXXXXX-
 C12X-XXXXXX-
 C22X-XXXXXX-
 C24X-XXXXXX-

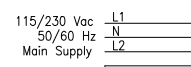
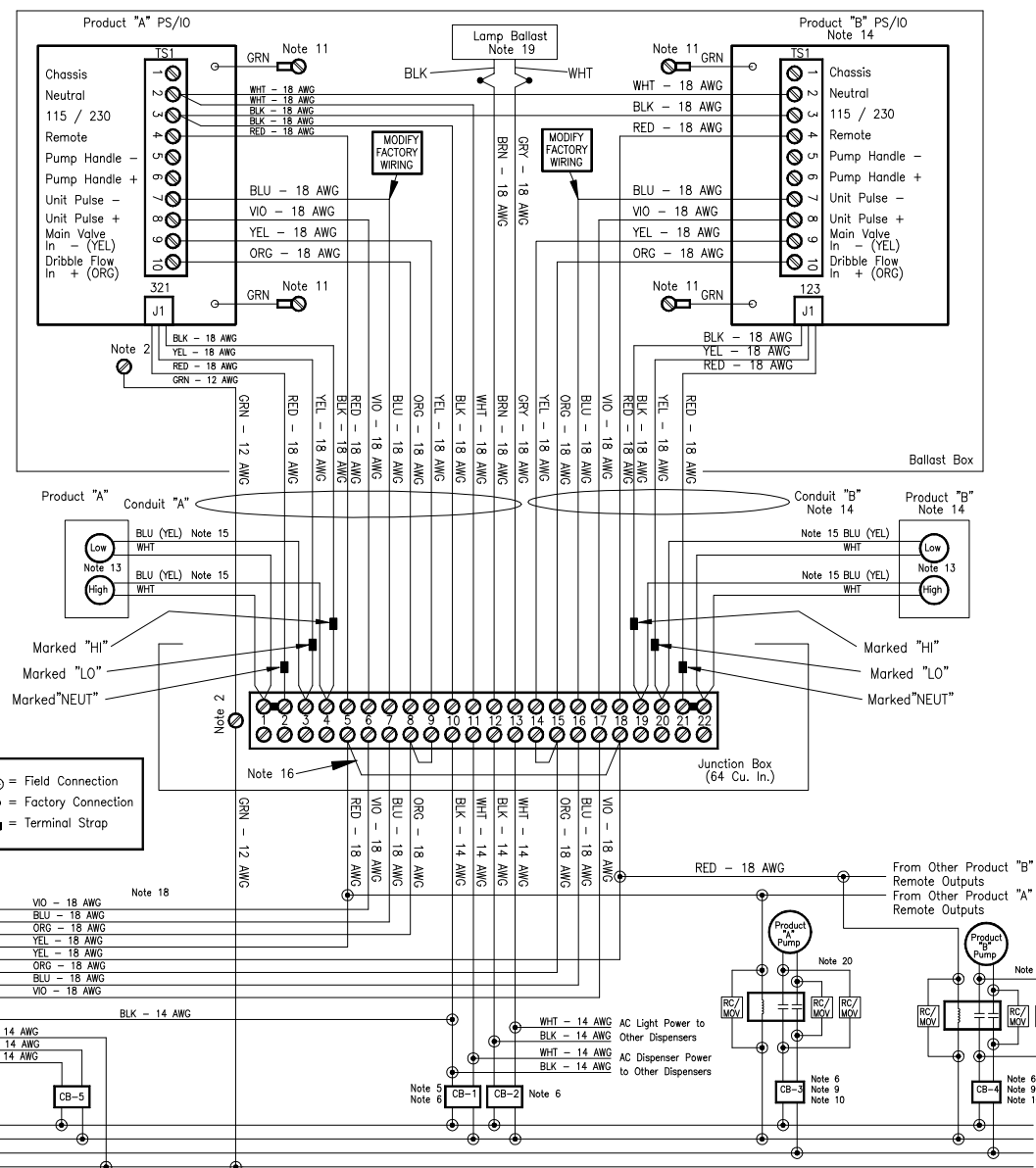
X = Any valid option code

- Product "B" components are not present on models R12X- and C12X-.
- BLU wire color for 115 Vac valves. YEL wire color for 230 Vac valves.
- Connection on single product twin only. Models R24X- and C24X-.
- N/A
- If an intercom system is used, DO NOT run the intercom and pump wires in the same conduit. Otherwise, electrical interference may occur with the intercom system or pump data communications.
- Refer to lamp ballast label for ballast/lamp wiring instructions.
- Install RC/MOV filters across coils and contacts of all submerged pump motor control contactors. See sheet 2 for Bennett Part No.

Ballast Box Layout



Electrical Ratings	
Dispenser Power	120 Watts 115 / 230 Vac
Lamp Power	90 Watts 115 / 230 Vac
Main Control Valves	15 Watts 115 / 230 Vac
Remote Output	240 Vac, 30 VA max.
Encoder	30 mA, 5 Vdc Intrinsically Safe
Customer Pump Switch	Magnetic Reed Switch Intrinsically Safe



WIRING DIAGRAM - GO PUMP REMOTE DISPENSERS W/ TUTHILL

BENNETT®
 Spring Lake Michigan, 49456

P-0028
 REV.D 7/03

22
 SHEET