

ⓑ TAP DRILL .66 [16.8]  
 M8 X 1.25 TAP  
 .58 [14.7] MIN. FULL THD.  
 65 % THREAD MIN.  
 6 HOLES

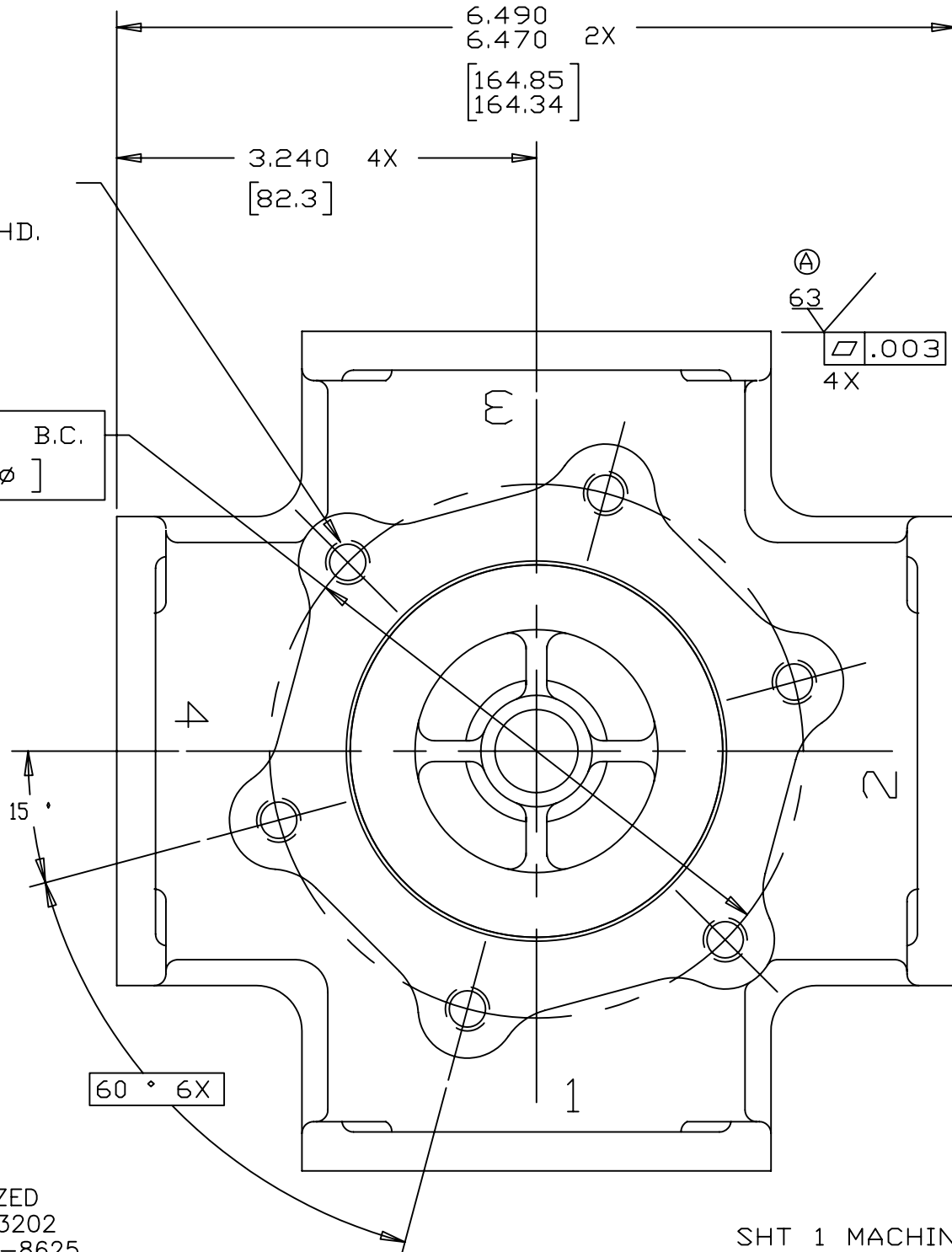
Ⓢ Ⓢ Ⓢ Ⓢ Ⓢ Ⓢ

4.12⌀ B.C.  
 [104.6⌀]

Ⓐ 63  
 ▱ .003  
 4X

ⓒ  
 ⓓ

1.5  
 [38]  
 1.5  
 [38]



ANODIZE NOTES:  
 P/N 103045 TO BE ANODIZED  
 MAKE FROM BPC P/N N643202  
 BLACK ANODIZE PER MIL-A-8625  
 TYPE II, CLASS II.

SHT 1 MACHINING