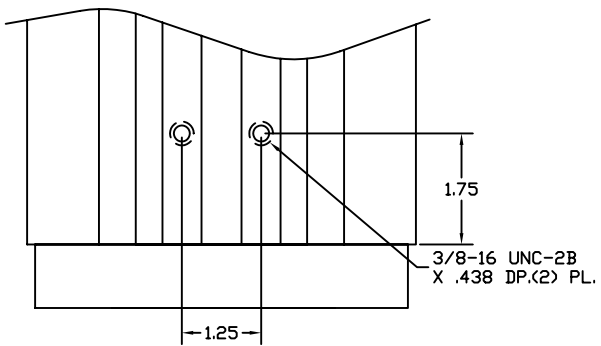
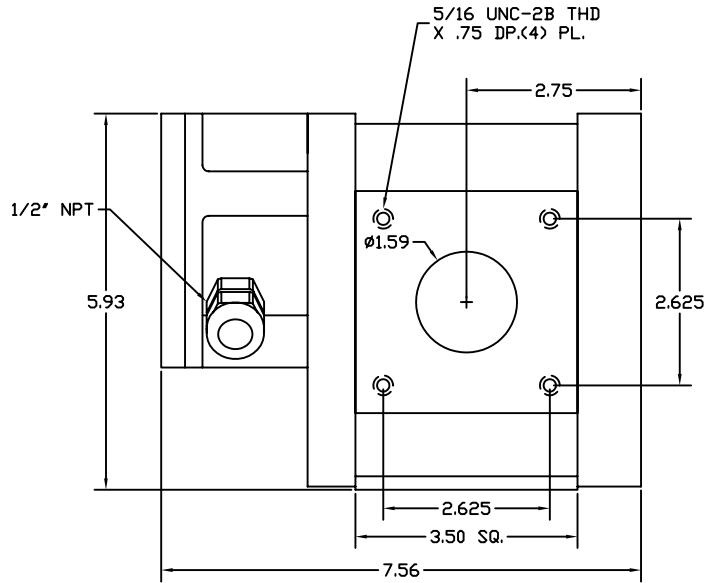
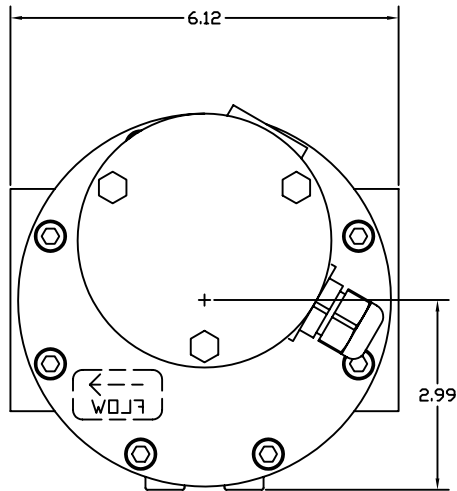


**D P-0782** DO NOT SCALE PROPRIETARY AND CONFIDENTIAL  
THIS PRINT IS THE PROPERTY OF BENNETT PUMP CO. AND LOANED SUBJECT TO RETURN ON DEMAND. MAY NOT BE REPRODUCED WITHOUT OUR CONSENT.



- METER SPECIFICATIONS:
1. ACCURACY MUST FALL WITHIN ±1% FROM 6 TO 60 GPM.
  2. MAXIMUM PRESSURE: 150 PSI
  3. 1024 QUADRATURE PULSE OUTPUT.
  4. WIRES TO BE:
 

SIGNAL	COLOR
+5 VDC	RED
COMMON	BLACK
A PULSE	WHITE
B PULSE	GREEN
- CONNECTION VERIFICATION — BLUE (CONNECTED TO LOGIC GROUND IN METER)  
 CABLE LENGTH OF 18'  
 IF CABLE IS SHIELDED THE DRAIN MUST BE CONNECTED AT METER.
5. 75mA MAXIMUM CURRENT.
  6. DECAL WITH FLOW ARROW AS SHOWN.
  7. PROVIDE SEAL WIRE ON PULSER WITH FPP/TUTHILL SEAL

- MATERIAL SPECIFICATIONS:
- METER BODY \_\_\_\_\_
  - GEARS \_\_\_\_\_
  - GEARSHAFTS \_\_\_\_\_
  - METER COVERS \_\_\_\_\_
  - PULSER HOUSING \_\_\_\_\_

SOURCE:  
 FPP METERS MODEL TS15A.  
 PART NUMBER IS TS15ABENNETT.  
 FPP METERS ARE MANUFACTURED BY:  
 TUTHILL TRANSFER SYSTEMS  
 48513 HIGHWAY 51  
 P.O. BOX 400  
 TICKFAW, LA. 70466

BENNETT PART NO. 107850

**D P-0782**  
SIZE | DRAWING NUMBER

REV	DATE	BY	APP'D	DESCRIPTION	SCALE	DATE	BY	DESCRIPTION
				B W/RF 17364	SCALE FULL	DATE	BY	DESCRIPTION
				A W/RF 17332	TO DIMENSIONS SHOWN	DATE	BY	DESCRIPTION
				D P-0782	3 PLACE & 005	DATE	BY	DESCRIPTION
						DATE	BY	DESCRIPTION

**BENNETT** **D P-0782**  
Spring Lake Michigan • 49458